



CONNECTORS

AS COMPOSANTS

13, rue Fernand Léger
ZAC Des Coudrettes
27930 GRAVIGNY – France
www.ascomposants.com
as.composants@orange.fr
+33 2 32 29 12 26

CONNECTORS

As a Hamitherm partner, AS Composants offers a wide range of miniature and standard connectors for both thermocouples and RTDs, as well as a complete range of accessories, panel inserts, terminals, tools, and mounting solutions.

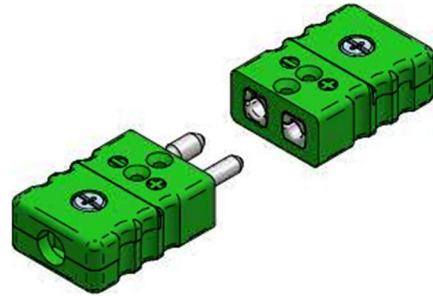
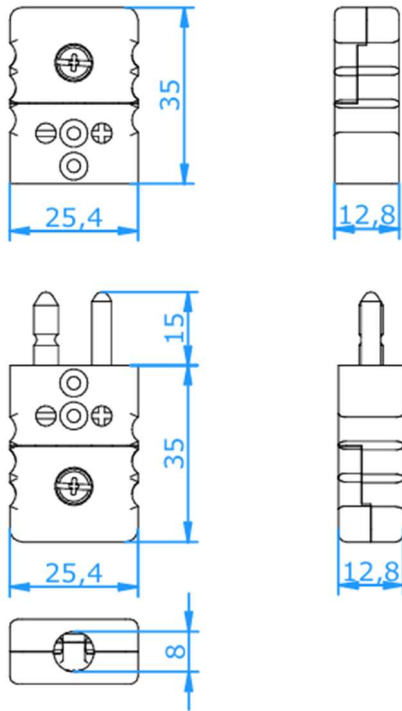
The very popular miniature connectors are an essential part of the range. They are made of fiberglass-reinforced thermoplastic with stainless steel screws and are resistant up to 220°C. High-temperature (540°C), ceramic (650°C) or locking variants are also available. They can be selected in 3 or 4-pin versions for ground connections or for 3 & 4-wire RTDs. The range includes many accessories: silicone cable inserts, protective sleeves, locking clips, clamping rings, crimp inserts, stainless steel supports, etc. These parts increase reliability and provide mechanical protection and sealing.

Standard connectors are available in thermoplastic, thermoset, or ceramic materials for the very high-temperature version (up to 1200°C) and also in 3-pin and duplex configurations.

To equip your enclosures, we will find a complete range of panels and associated sockets, with various mounting options. Some versions feature a locking system to prevent accidental disconnections.

All of these products are available in all standard thermocouple color codes. This range meets the needs of manufacturers for connecting temperature sensors with reliability, durability, and modularity in the most demanding environments.

STANDARD CONNECTORS – 2 CONTACTS



Thermoplastic Material – 220°C Max
Suitable with cables from Ø1.6 to Ø8mm

HAMI-THERM

Application

Connector for thermocouple or RTD to Sensor or harness connection. Solid pin design ensures good contact even in demanding applications. Hollow pin design offers a good quality product at competitive pricing for less frequently used connectors.

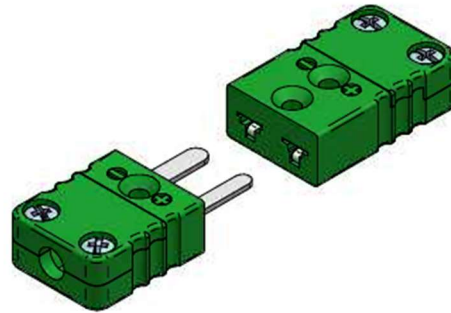
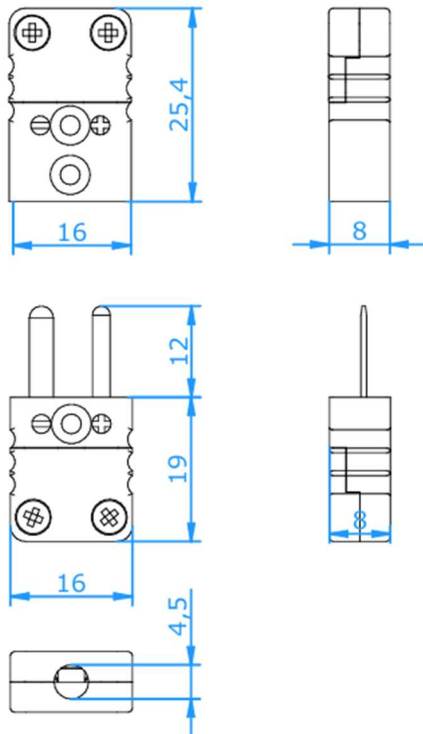
Construction

- Glass filled high quality thermoplastic body with original thermocouple material pins and springloaded inserts.
- Polarized pins.
- Central cover screw design for quick wiring.
- Molded barriers prevent short-circuits.
- Captive cover screw for easy assembly.
- Easy wire connection through sandwich construction
- Stainless Steel screws

Contacts	Genre	Thermocouple – IEC Norma								
		B Grey	C Red	E Violet	J Black	K Green	N Pink	S Orange	T Brown	U White
	Male Solid pins				A0916	A0803	A1137	A1317	A1028	A1425
2	Male Hollow pins	A3618	A2055	A3497	A0244	A0096	A0848	A0302	A0368	A0409
	Female	A3619	A2056	A3498	A0364	A0280	A0828	A0454	A0420	A0410

Available in all color code standards, including norma: NFE, BS, JIS, etc

MINIATURE CONNECTORS – 2 CONTACTS



Thermoplastic Material – 220°C Max
Suitable with cables from Ø0.6 to
Ø4.5mm

HAMI-THERM

Application

Connector for thermocouple or RTD to Sensor or harness connection.

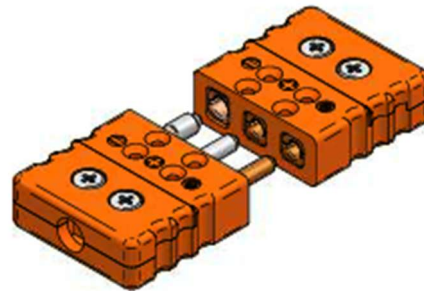
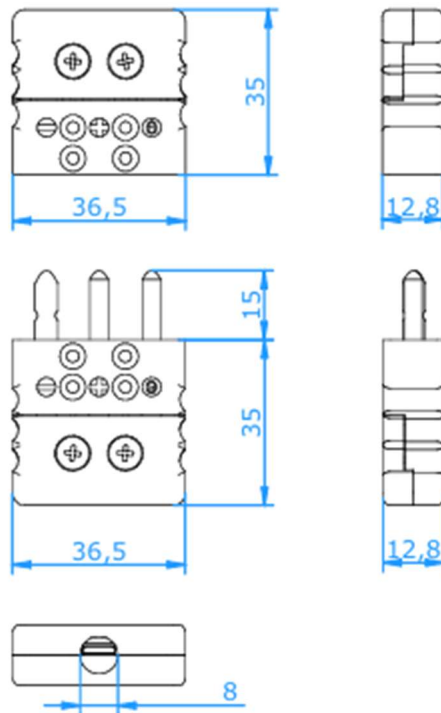
Construction

- Glass filled high quality thermoplastic body with original thermocouple material pins.
- Polarized pins.
- Molded barriers prevent short-circuits.
- Captive cover screw for easy assembly.
- Easy wire connection through sandwich construction
- Stainless Steel screws

Contacts	Genre	Thermocouple – IEC Norma								
		B Grey	C Red	E Violet	J Black	K Green	N Pink	S Orange	T Brown	U White
2	Male	A3486	A1910	A0403	A0174	A0155	A0405	A0407	A0383	A0323
	Female	A4140	A1911	A0404	A0175	A0156	A0406	A0408	A0384	A0324

Available in all color code standards, including norma: NFE, BS, JIS, etc

STANDARD CONNECTORS – 3 CONTACTS



Thermoplastic Material – 220°C Max
Suitable with cables from Ø1.6 to Ø8mm

HAMI-THERM

Application

Connector for thermocouple or RTD to Sensor or harness connection. Solid pin design ensures good contact even in demanding applications. Hollow pin design offers a good quality product at competitive pricing for less frequently used connectors.

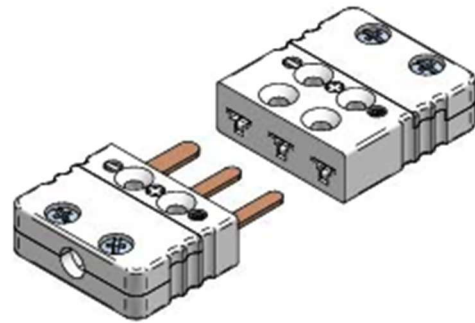
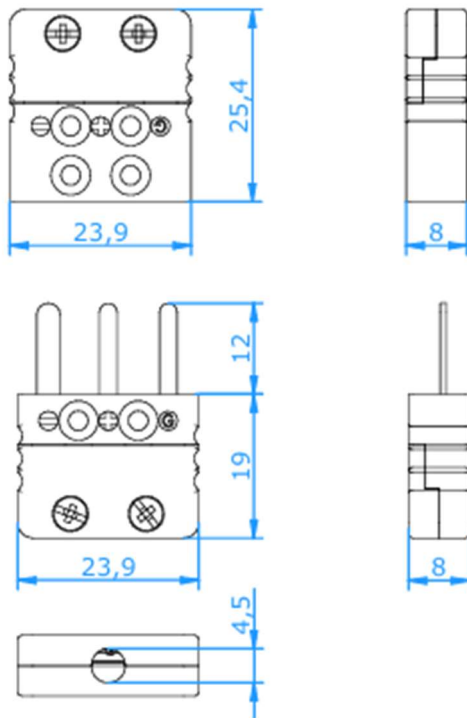
Construction

- Glass filled high quality thermoplastic body with original thermocouple material pins and springloaded inserts.
- Polarized pins.
- Central cover screw design for quick wiring.
- Molded barriers prevent short-circuits.
- Captive cover screw for easy assembly.
- Easy wire connection through sandwich construction

Contacts	Genre	Thermocouple – IEC Norma								
		B Grey	C Red	E Violet	J Black	K Green	N Pink	S Orange	T Brown	U White
3	Male Solid pins				A1443	A2297	A1440			A0205
	Male Hollow pins				A0836	A0761	A2288		A1858	A2030
	Female				A1290	A0762	A1441		A3592	A0206

Available in all color code standards, including norma: NFE, BS, JIS, etc.

MINIATURE CONNECTORS – 3 CONTACTS



Thermoplastic Material – 220°C Max
Suitable with cables from Ø0.6 to Ø4.5mm

HAMI-THERM

Application

Connector for thermocouple or RTD to Sensor or harness connection.

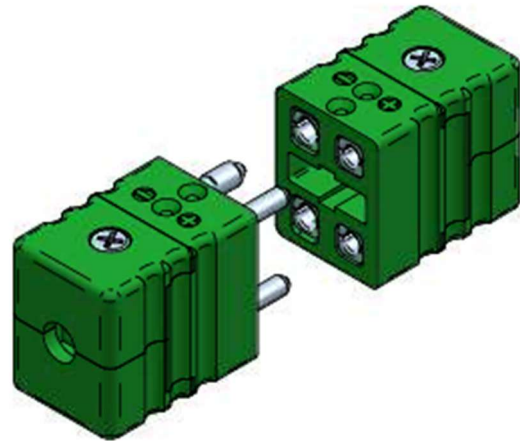
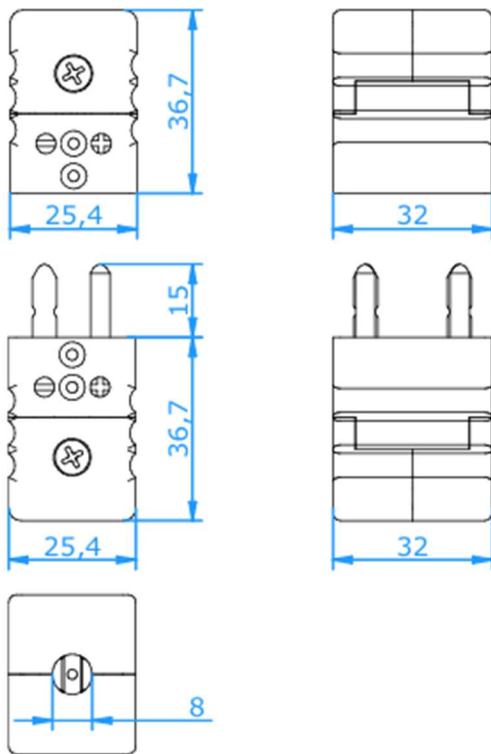
Construction

- Glass filled high quality thermoplastic body with original thermocouple material pins.
- Polarized pins.
- Molded barriers prevent short-circuits.
- Captive cover screw for easy assembly.
- Easy wire connection through sandwich construction
- Rugged one body design.

Contacts	Genre	Thermocouple – IEC Norma								
		B <i>Grey</i>	C <i>Red</i>	E <i>Violet</i>	J <i>Black</i>	K <i>Green</i>	N <i>Pink</i>	S <i>Orange</i>	T <i>Brown</i>	U <i>White</i>
3	Male	A3622	A3804	A3806	A1321	A0501	A1676	A2511	A0502	A0961
	Female		A3805	A3807	A1322	A0720			A0565	A0962

Available in all color code standards, including norma: NFE, BS, JIS, etc

STANDARD CONNECTORS – 4 CONTACTS



**Thermoplastic Material – 220°C Max
Suitable with cables from Ø1.6 to Ø8mm**

HAMI-THERM

Application

Connector for thermocouple or RTD to Sensor or harness connection. Solid pin design ensures good contact even in demanding applications. Hollow pin design offers a good quality product at competitive pricing for less frequently used connectors.

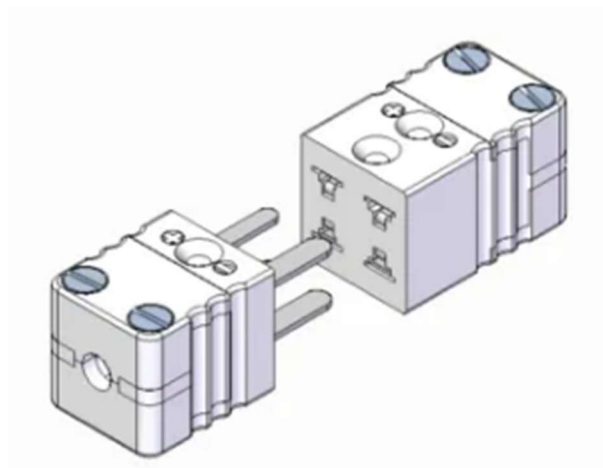
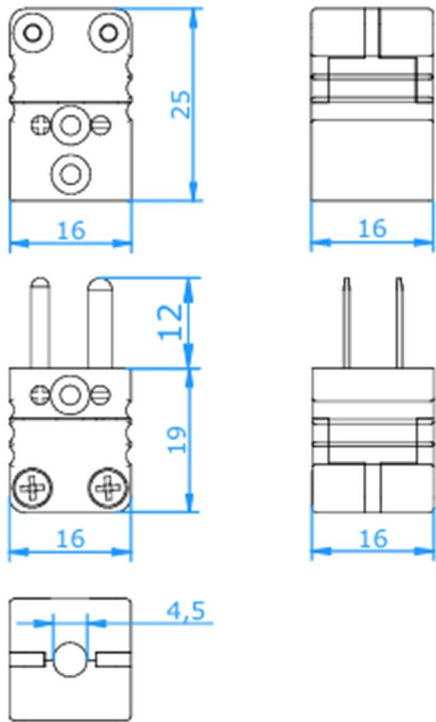
Construction

- Glass filled high quality thermoplastic body with original thermocouple material pins and springloaded inserts.
- Polarized pins.
- Central cover screw design for quick wiring.
- Molded barriers prevent short-circuits.
- Captive cover screw for easy assembly.
- Connects with standard horizontal and vertical panels.

Contacts	Genre	Thermocouple – IEC Norma								
		B Grey	C Red	E Violet	J Black	K Green	N Pink	S Orange	T Brown	U White
	Male Solid pins					A0411	A1993	A2032	A1790	
4	Male Hollow pins				A0472	A2155	A4571	A3330		A2012
	Female				A0473	A0412	A2314	A3033		A3964

Available in all color code standards, including norma: NFE, BS, JIS, etc.

MINIATURE CONNECTORS – 4 CONTACTS



Thermoplastic Material – 220°C Max
Suitable with cables from Ø0.6 to Ø4.5mm

HAMI-THERM

Application

Connector for thermocouple or RTD to Sensor or harness connection.

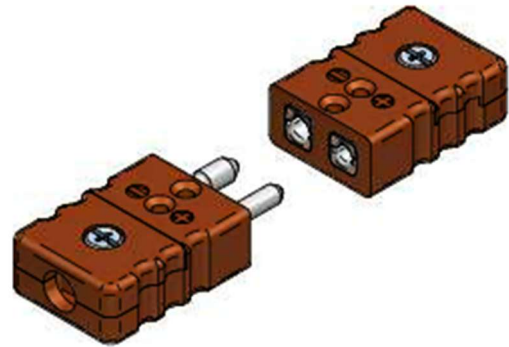
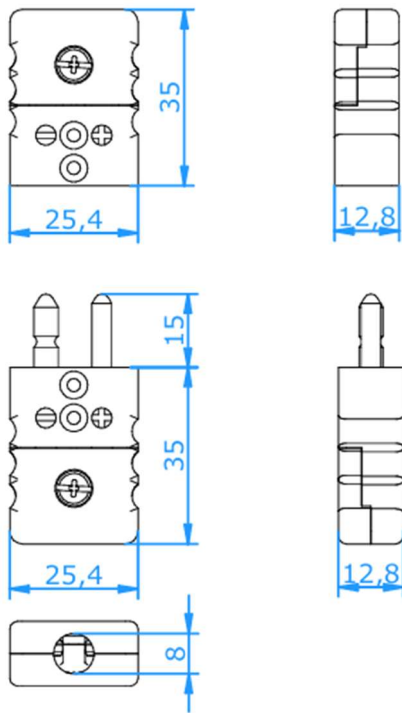
Construction

- Glass filled high quality thermoplastic body with original thermocouple material pins.
- Polarized pins.
- Molded barriers prevent short-circuits.
- Captive cover screw for easy assembly.
- Easy wire connection through sandwich construction
- Rugged one body design.

Contacts	Genre	Thermocouple – IEC Norma								
		B <i>Grey</i>	C <i>Red</i>	E <i>Violet</i>	J <i>Black</i>	K <i>Green</i>	N <i>Pink</i>	S <i>Orange</i>	T <i>Brown</i>	U <i>White</i>
4	Male	A2951			A2343	A1353	A2883	A1277	A2841	A2189
	Female	A2952				A1385	A2884	A3079	A2873	A2190

Available in all color code standards, including norma: NFE, BS, JIS, etc

STANDARD CONNECTORS – HIGH TEMPERATURE - 2 CONTACTS



Thermoset Material – 350°C Max
Suitable with cables from Ø2 to Ø8mm

HAMI-THERM

Application

Connector for thermocouple or RTD to Sensor or harness connection. Solid pin design ensures good contact even in demanding applications. Hollow pin design offers a good quality product at competitive pricing for less frequently used connectors.

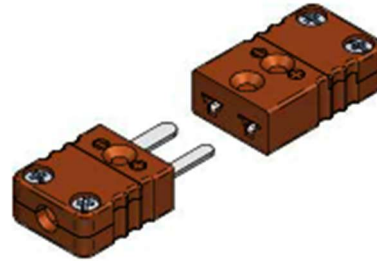
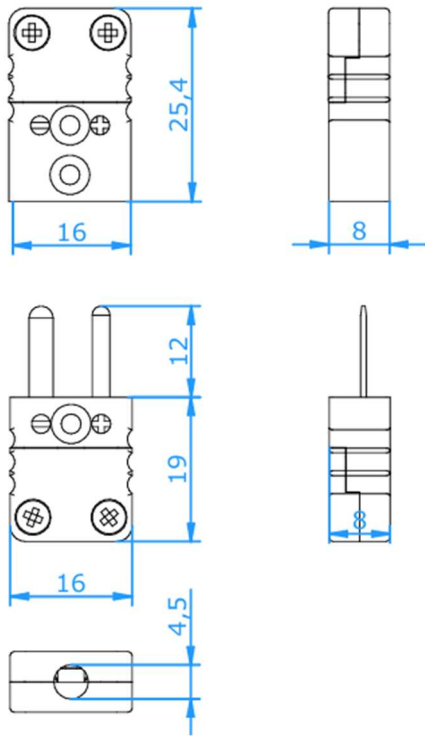
Construction

- Glass filled high quality thermoset body with original thermocouple material pins and springloaded inserts.
- Polarized pins.
- Central cover screw design for quick wiring.
- Molded barriers prevent short-circuits.
- Captive cover screw for easy assembly.

Contacts	Genre	Thermocouple – IEC Norma								
		B <i>Brown</i>	C <i>Brown</i>	E <i>Brown</i>	J <i>Brown</i>	K <i>Brown</i>	N <i>Brown</i>	S <i>Brown</i>	T <i>Brown</i>	U <i>Brown</i>
	Male Solid pins									
2	Male Hollow pins	A4960			A2452	A1387	A0919	A3127	A2782	A3584
	Female				A0736	A0764	A0924	A1470	A1392	A1631

A unique body colour allowing norma interchangeability (Ansi /IEC /etc.)

MINIATURE CONNECTORS – HIGH TEMPERATURE - 2 CONTACTS



Thermoset Material – 350°C Max
Suitable with cables from Ø0.6 to Ø4.5mm

HAMI-THERM™

Application

Connector for thermocouple or RTD to Sensor or harness connection.

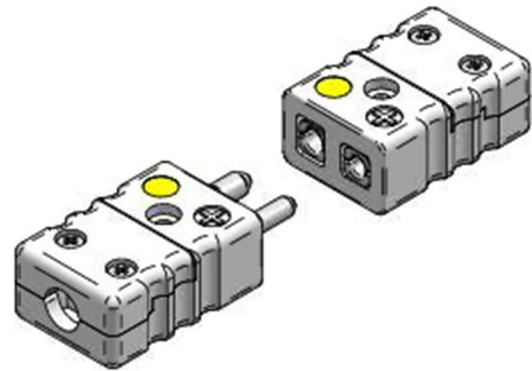
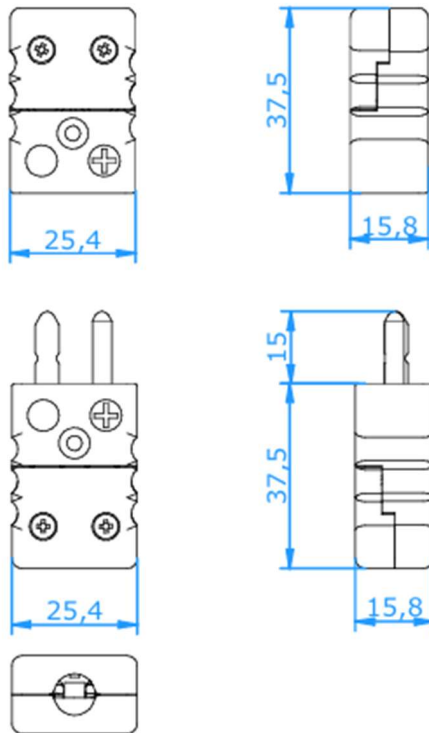
Construction

- Glass filled high quality thermoset body with original thermocouple material pins.
- Polarized pins.
- Molded barriers prevent short-circuits.
- Captive cover screw for easy assembly.
- Easy wire connection through sandwich construction

Contacts	Genre	Thermocouple – IEC Norma								
		B <i>Brown</i>	C <i>Brown</i>	E <i>Brown</i>	J <i>Brown</i>	K <i>Brown</i>	N <i>Brown</i>	S <i>Brown</i>	T <i>Brown</i>	U <i>Brown</i>
2	Male	A4953			A1774	A0385	A2850	A2223	A2722	A2558
	Female				A1978	A0386	A2721	A2256	A2723	A1795

A unique body colour allowing norma interchangeability (Ansi /IEC /etc.)

STANDARD CONNECTORS – CERAMIC - 2 CONTACTS



Ceramic Material – 650°C Max
Suitable with cables from Ø1.6 to Ø8mm

HAMI-THERM

Application

Connector for thermocouple or RTD to Sensor or harness connection. Solid pin design ensures good contact even in demanding applications. Hollow pin design offers a good quality product at competitive pricing for less frequently used connectors.

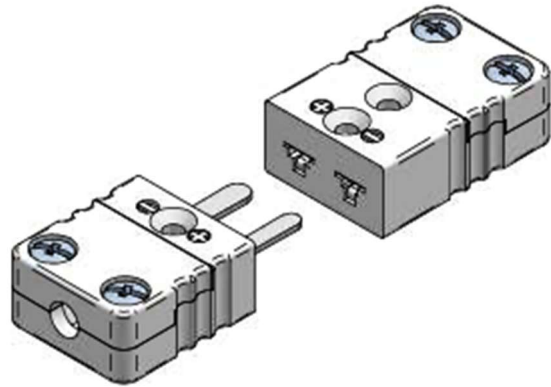
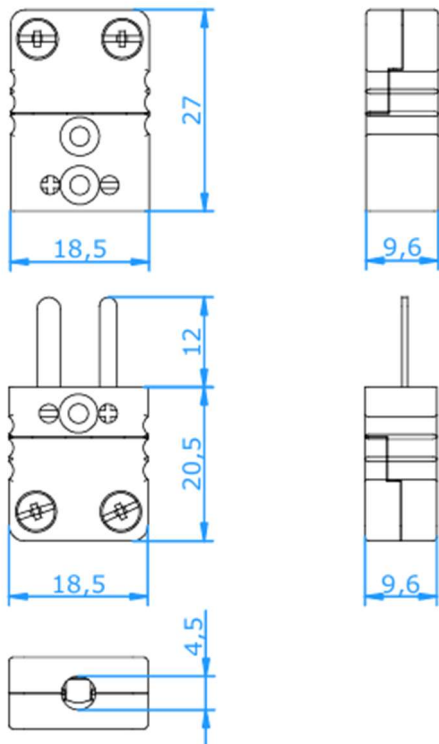
Construction

- Ceramic body with original thermocouple material pins and springloaded inserts.
- Polarized pins.
- Oversize terminal screw head for easy wiring
- One body design.
- High purity alumina body material

Contacts	Genre	Thermocouple – IEC Norma								
		B White	C White	E White	J White	K White	N White	S White	T White	U White
	Male Solid pins				A0745	A0500		A1772		
2	Male Hollow pins	A4804	A2327		A2296	A2899	A1727	A2771		A2463
	Female	A4805	A2328		A0746	A1052	A1726	A2772		A1058

Available in all color code standards, including norma: NFE, BS, JIS, etc.

MINIATURE CONNECTORS – CERAMIC - 2 CONTACTS



Ceramic Material – 650°C Max
Suitable with cables from Ø0.6 to Ø4.5mm

HAMI-THERM

Application

Connector for thermocouple or RTD to Sensor or harness connection.

Construction

- Ceramic body with original thermocouple material pins.
- Polarized pins.
- Oversize terminal screw head for easy wiring
- One body design.
- High purity alumina body material

Contacts	Genre	Thermocouple – IEC Norma								
		B White	C White	E White	J White	K White	N White	S White	T White	U White
2	Male	A3429	A3009		A2464	A1608	A2184	A1778		A2168
	Female	A3430	A3010		A2465	A1486	A2185	A2235		A2246

Available in all color code standards, including norma: NFE, BS, JIS, etc.



MORE THAN A SUPPLIER

EUROPE

AS COMPOSANTS

13, Rue Fernand Léger
ZAC des Coudrettes
27930 GRAVIGNY
FRANCE

Web : www.ascomposants.com
Téléphone : +33 2 32 29 12 26
Email : as.composants@orange.fr

